

Replacing the Snubbers



M/L ankle resistance is controlled by the snubbers that are installed between the composite plates. Two diameters of snubbers are available. The foot is shipped with the smaller diameter snubbers installed. This configuration provides the most M/L compliance and is appropriate in most cases.

If the patient requires greater M/L ankle resistance, install the larger diameter snubbers as follows (refer to the pictures on the back of this page):

1. Using a 4mm hex wrench, remove the shoulder bolts.
2. Remove the small diameter snubbers.
3. Install the large diameter snubbers.
4. Apply Loctite 242 (or equivalent) to the shoulder bolts.
5. Install the shoulder bolts. Tighten the bolts to 9 ft-lbs (12 Nm). Be sure to fully engage the hex tool and avoid over-torquing the bolts.



OHIO WILLOW WOOD®

free the body...free the spirit®

15441 Scioto Darby Road

Mt. Sterling, Ohio 43143 USA

Phone: 740.869.3377 or 800.848.4930

Fax: 740.869.4374 <http://www.owwco.com>

Replacing the Snubbers



M/L ankle resistance is controlled by the snubbers that are installed between the composite plates. Two diameters of snubbers are available. The foot is shipped with the smaller diameter snubbers installed. This configuration provides the most M/L compliance and is appropriate in most cases.

If the patient requires greater M/L ankle resistance, install the larger diameter snubbers as follows (refer to the pictures on the back of this page):

1. Using a 4mm hex wrench, remove the shoulder bolts.
2. Remove the small diameter snubbers.
3. Install the large diameter snubbers.
4. Apply Loctite 242 (or equivalent) to the shoulder bolts.
5. Install the shoulder bolts. Tighten the bolts to 9 ft-lbs (12 Nm). Be sure to fully engage the hex tool and avoid over-torquing the bolts.



OHIO WILLOW WOOD®

free the body...free the spirit®

15441 Scioto Darby Road

Mt. Sterling, Ohio 43143 USA

Phone: 740.869.3377 or 800.848.4930

Fax: 740.869.4374 <http://www.owwco.com>

Replacing the Snubbers



M/L ankle resistance is controlled by the snubbers that are installed between the composite plates. Two diameters of snubbers are available. The foot is shipped with the smaller diameter snubbers installed. This configuration provides the most M/L compliance and is appropriate in most cases.

If the patient requires greater M/L ankle resistance, install the larger diameter snubbers as follows (refer to the pictures on the back of this page):

1. Using a 4mm hex wrench, remove the shoulder bolts.
2. Remove the small diameter snubbers.
3. Install the large diameter snubbers.
4. Apply Loctite 242 (or equivalent) to the shoulder bolts.
5. Install the shoulder bolts. Tighten the bolts to 9 ft-lbs (12 Nm). Be sure to fully engage the hex tool and avoid over-torquing the bolts.



OHIO WILLOW WOOD®

free the body...free the spirit®

15441 Scioto Darby Road

Mt. Sterling, Ohio 43143 USA

Phone: 740.869.3377 or 800.848.4930

Fax: 740.869.4374 <http://www.owwco.com>

Replacing the Snubbers



M/L ankle resistance is controlled by the snubbers that are installed between the composite plates. Two diameters of snubbers are available. The foot is shipped with the smaller diameter snubbers installed. This configuration provides the most M/L compliance and is appropriate in most cases.

If the patient requires greater M/L ankle resistance, install the larger diameter snubbers as follows (refer to the pictures on the back of this page):

1. Using a 4mm hex wrench, remove the shoulder bolts.
2. Remove the small diameter snubbers.
3. Install the large diameter snubbers.
4. Apply Loctite 242 (or equivalent) to the shoulder bolts.
5. Install the shoulder bolts. Tighten the bolts to 9 ft-lbs (12 Nm). Be sure to fully engage the hex tool and avoid over-torquing the bolts.



OHIO WILLOW WOOD®

free the body...free the spirit®

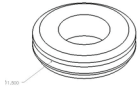
15441 Scioto Darby Road

Mt. Sterling, Ohio 43143 USA

Phone: 740.869.3377 or 800.848.4930

Fax: 740.869.4374 <http://www.owwco.com>

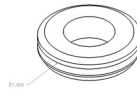
Large diameter snubber
= greater M/L
ankle resistance



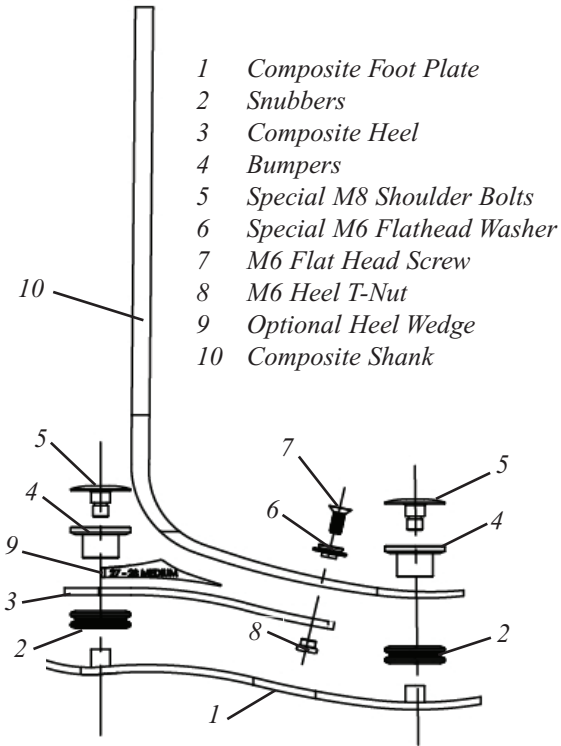
Small diameter snubber
= lower M/L
ankle resistance



Large diameter snubber
= greater M/L
ankle resistance

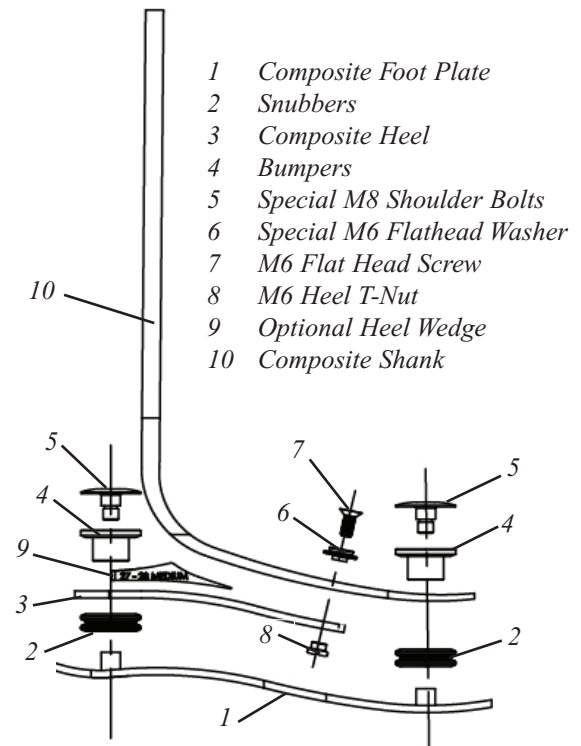


Small diameter snubber
= lower M/L
ankle resistance



- 1 Composite Foot Plate
- 2 Snubbers
- 3 Composite Heel
- 4 Bumpers
- 5 Special M8 Shoulder Bolts
- 6 Special M6 Flathead Washer
- 7 M6 Flat Head Screw
- 8 M6 Heel T-Nut
- 9 Optional Heel Wedge
- 10 Composite Shank

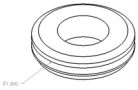
PN-2106-A 17 JUL 2008



- 1 Composite Foot Plate
- 2 Snubbers
- 3 Composite Heel
- 4 Bumpers
- 5 Special M8 Shoulder Bolts
- 6 Special M6 Flathead Washer
- 7 M6 Flat Head Screw
- 8 M6 Heel T-Nut
- 9 Optional Heel Wedge
- 10 Composite Shank

PN-2106-A 17 JUL 2008

Large diameter snubber
= greater M/L
ankle resistance



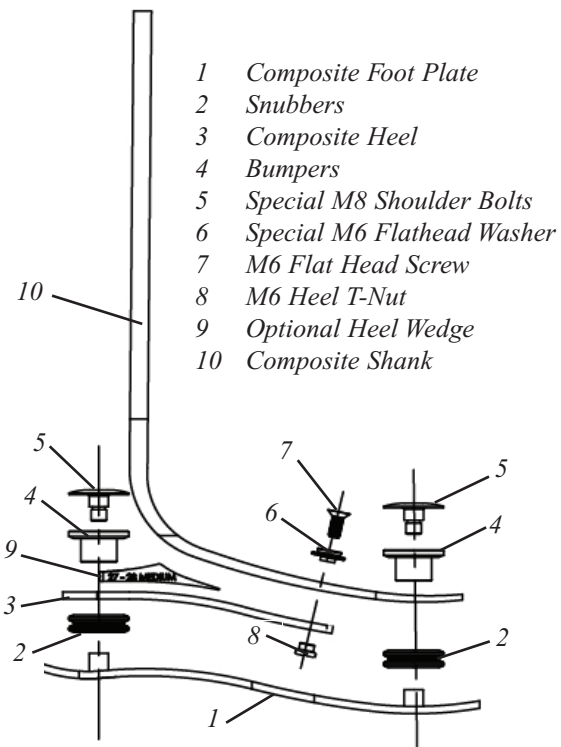
Small diameter snubber
= lower M/L
ankle resistance



Large diameter snubber
= greater M/L
ankle resistance

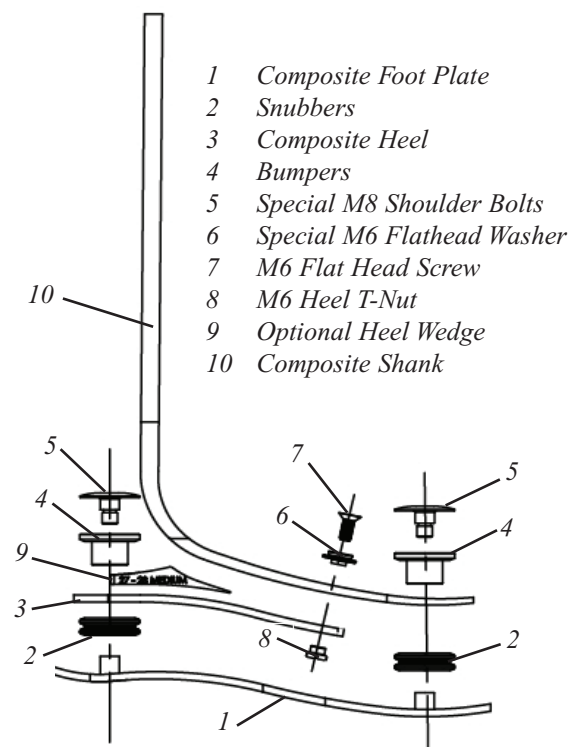


Small diameter snubber
= lower M/L
ankle resistance



- 1 Composite Foot Plate
- 2 Snubbers
- 3 Composite Heel
- 4 Bumpers
- 5 Special M8 Shoulder Bolts
- 6 Special M6 Flathead Washer
- 7 M6 Flat Head Screw
- 8 M6 Heel T-Nut
- 9 Optional Heel Wedge
- 10 Composite Shank

PN-2106-A 17 JUL 2008



- 1 Composite Foot Plate
- 2 Snubbers
- 3 Composite Heel
- 4 Bumpers
- 5 Special M8 Shoulder Bolts
- 6 Special M6 Flathead Washer
- 7 M6 Flat Head Screw
- 8 M6 Heel T-Nut
- 9 Optional Heel Wedge
- 10 Composite Shank

PN-2106-A 17 JUL 2008