

## Maintenance

The OWW Stabilized Knee is not field-serviceable. Disassembly of the knee will void the warranty. Please contact Ohio Willow Wood if any repair is necessary.

## Warranty

Ohio Willow Wood will repair or replace (at Ohio Willow Wood's discretion) any Stabilized Knee which fails due to defects in material or workmanship for a period of one year from the date of original purchase (allowing three weeks for installation). Use of the Ohio Willow Wood Stabilized Knee for amputees whose adjusted body weight is more than 250 lbs (113 kg) or who engage in extremely high and abusive activity is against Ohio Willow Wood Company's recommendations and will void the one year warranty. Adjusted body weight is defined as the weight of the amputee plus any loads carried by the amputee. "Extremely high and abusive activities" are defined as activities such as skydiving, karate, and judo; activities that could result in injury to an individual's natural knee; and activities that expose the prosthesis to corrosives such as salt water.

## Warranty Disclaimer

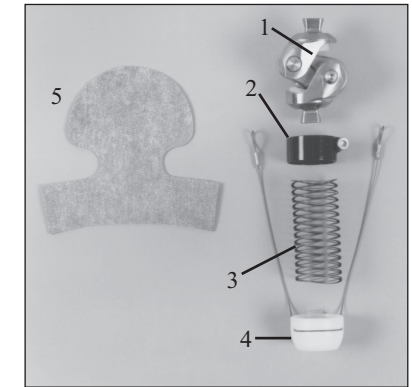
Ohio Willow Wood warrants that each product manufactured will, at the time of delivery, be of workmanlike quality and substantially free of defects. **OHIO WILLOW WOOD MAKES NO OTHER WARRANTY, IMPLIED, OR EXPRESSED, AND MAKES NO WARRANTY OF MERCHANTABILITY OR FITNESS FOR A PARTICULAR PURPOSE.** This warranty shall terminate immediately upon an action to combine our products with other materials or in any manner to change the nature of our products. The sole remedy is replacement of the products or credit for the products. Ohio Willow Wood's liability shall not exceed the purchase price of the product. **Ohio Willow Wood shall not be liable for any indirect, incidental, or consequential damage.**

## Ohio Willow Wood Retention of Rights

**Ohio Willow Wood retains all intellectual property rights reflected or incorporated in its physical products, regardless of the transfer of the physical products to another party or parties.**

## ASSEMBLY INSTRUCTIONS FOR THE OHIO WILLOW WOOD STABILIZED KNEE

**Please read instructions thoroughly before assembling a prosthesis using the Ohio Willow Wood Stabilized Knee.**



## Components

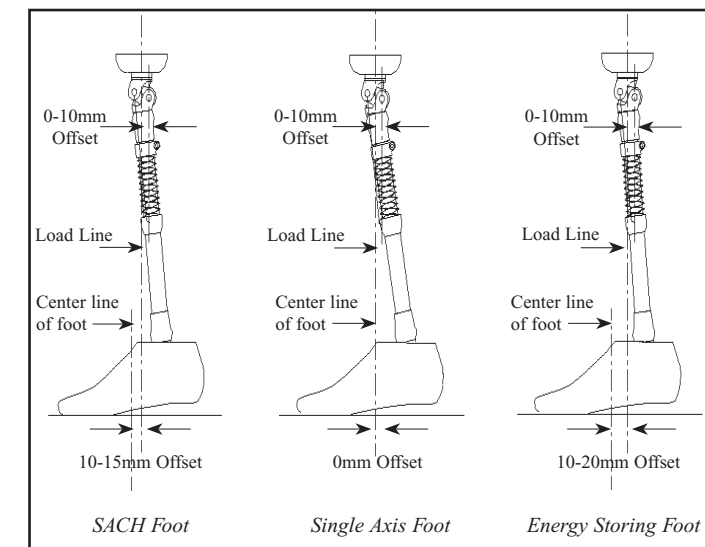
1. Ohio Willow Wood Stabilized Knee
2. Spring Adjustment Clamp
3. Spring
4. Sliding Ring with Cable
5. Protective Cover

All of the items pictured are included when ordering the Ohio Willow Wood Stabilized Knee (Modular), with Extension Assist Assembly:

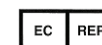
- Part No. STK-222 Titanium Knee with Assist
- Part No. STK-224 Stainless Steel Knee with Assist

Please check to make sure that you have received all of these parts.

## Alignment



**OHIO WILLOW WOOD®**  
*free the body...free the spirit®*  
15441 Scioto Darby Road  
Mt. Sterling, OH 43143  
phone 740.869.3377 / 800.848.4930  
fax 740.869.4374 www.owwco.com

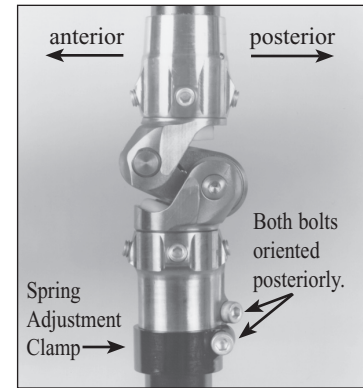


Ohio Willow Wood Company B.V.  
Keizersgracht 62/64  
1015 CS Amsterdam  
The Netherlands

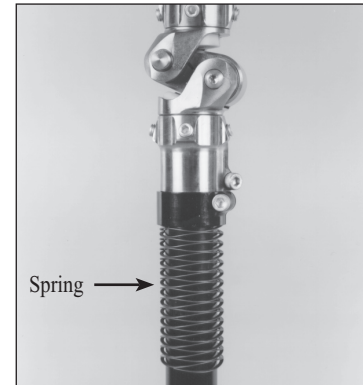


## Installing the Extension Assist

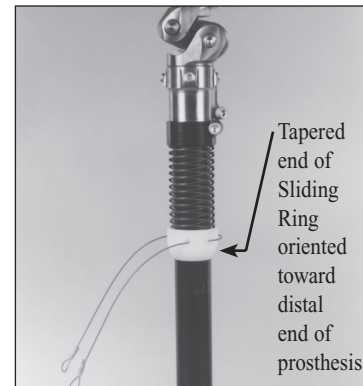
- Attach the distal end of the Ohio Willow Wood Stabilized Knee to a 30mm tube clamp adapter and 30mm tube. Orient the bolt on the tube clamp posteriorly so that it will not cause interference once the cable is installed.
- Place the Spring Adjustment Clamp onto the 30mm tube, with the bolt on the clamp oriented proximally. Slide the clamp up until it reaches the bottom edge of the 30mm tube clamp adapter. The bolt on the Spring Adjustment Clamp should also be oriented posteriorly so that it will not cause interference once the cable is installed.



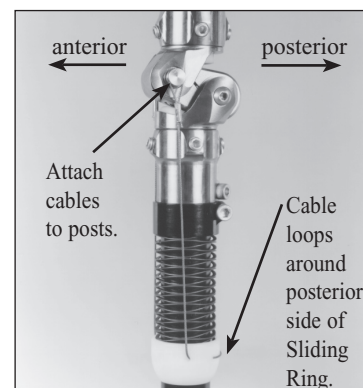
Slide the Spring onto the tube. There is no specific orientation for the Spring.



Slide the Sliding Ring onto the tube. Orient the tapered side of the Sliding Ring toward the distal end of the prosthesis.

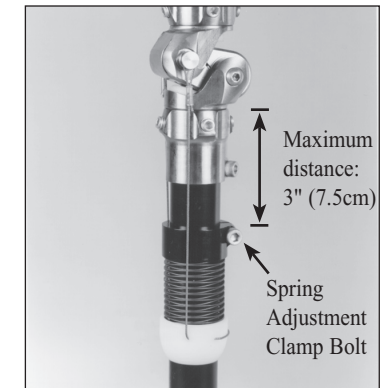


Attach the ends of the cables onto the attachment posts on the knee. Note that the cable should loop around the posterior side of the Sliding Ring.



## Adjusting the Extension Assist

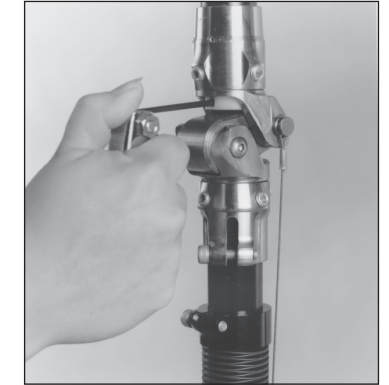
- To increase the tension in the spring, slide the Spring Adjustment Clamp farther away from the knee. Do not move the top edge of the clamp farther than 3" (7.5cm) from the proximal edge of the 30mm tube clamp adapter.
  - To decrease the tension in the spring, slide the Spring Adjustment Clamp closer to the knee.
- Tighten the Spring Adjustment Clamp bolt to 5 ft-lbs (7 Nm).



## Adjusting the Friction Control

Using a 3mm Allen wrench, adjust the Friction Control Adjustment Screw as follows:

- To increase the friction, turn **clockwise**.
- To decrease the friction, turn **counterclockwise**.



## Adjusting the Stance Control

Using a 6mm Allen wrench, adjust the Stance Control Adjustment Screw as follows:

- To decrease the brake sensitivity, turn **clockwise**.
- To increase the brake sensitivity, turn **counterclockwise**.



## Installing the Protective Cover

The Protective Cover helps prevent the knee from tearing through a cosmetic foam cover. There are two options for installing the Foam Protection Knee Cover:

- Wrap the "ears" of the Protective Cover around the 30mm tube clamp below the knee, and secure with pressure-sensitive tape as shown at right.
- OR
- Glue the Protective Cover to the inside of the foam cover, directly in front of the knee.

