



## Cosmesis Kit Instructions

---

**Please read thoroughly before fabricating a socket using the Cosmesis Kit.**

### Warranty

The warranty for the Cosmesis Kit is one year. (allowing three weeks from date of purchase for installation). Use of the Cosmesis Kit for amputees whose modified body weight is more than 350 lbs (160 kg) or who engage in extremely high and abusive activity is against Ohio Willow Wood's recommendations and will void the one-year warranty. Modified body weight is defined as the weight of the amputee plus any loads carried normally or routinely by the amputee. "Extremely high and abusive activities" are defined as activities such as skydiving, karate, and judo; activities that could result in injury to an individual's natural limb; and activities that expose the prosthesis to corrosives such as salt water.

### Warranty Disclaimer

Ohio Willow Wood warrants that each product manufactured will, at the time of delivery, be of workmanlike quality and substantially free of defects. **OHIO WILLOW WOOD MAKES NO OTHER WARRANTY, IMPLIED, OR EXPRESSED, AND MAKES NO WARRANTY OF MERCHANTABILITY OR FITNESS FOR A PARTICULAR PURPOSE.** This warranty shall terminate immediately upon an action to combine our products with other materials or in any manner to change the nature of our products. The sole remedy is replacement of the products or credit for the products. Ohio Willow Wood's liability shall not exceed the purchase price of the product. Ohio Willow Wood shall not be liable for any indirect, incidental, or consequential damage.

### Ohio Willow Wood Retention of Rights

Ohio Willow Wood retains all intellectual property rights reflected or incorporated in its physical products, regardless of the transfer of the physical products to another party or parties.



OHIO WILLOW WOOD®

*free the body...free the spirit®*

15441 Scioto Darby Road  
Mt. Sterling, OH 43143  
phone 740.869.3377 / 800.848.4930  
fax 740.869.4374 www.owwco.com

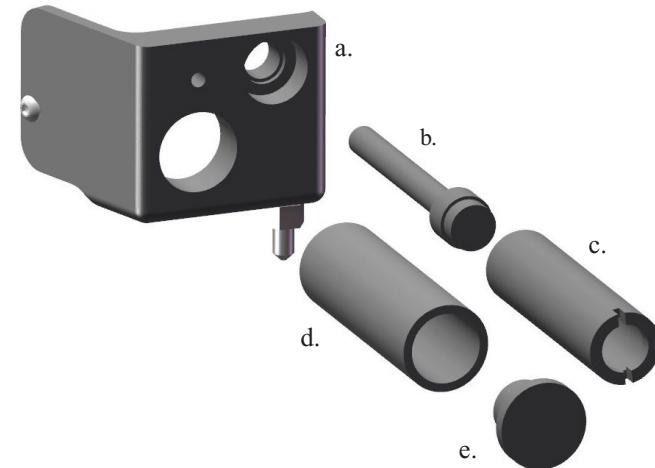


Ohio Willow Wood Company B.V.  
Keizersgracht 62/64  
1015 CS Amsterdam  
The Netherlands



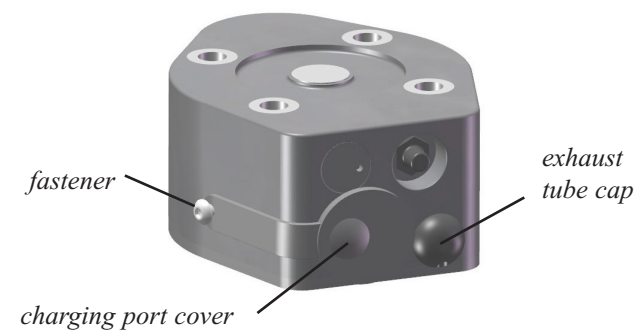
## Items included in the Cosmesis Kit

- Cosmetic Panel
- Button
- Button Insert
- Power Insert
- Power Insert Cap

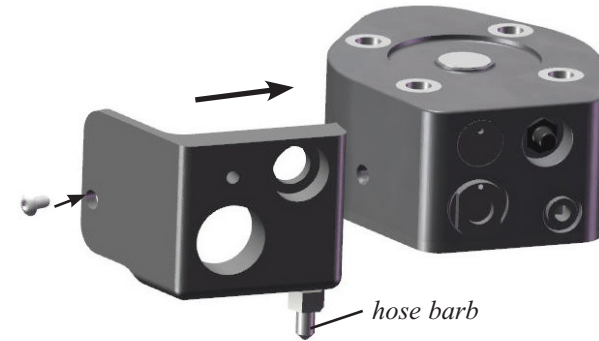


## Assembly Instructions

- Assemble the prosthesis according to the instructions in the *LimbLogic VS Prosthetist's Guide*.
- Remove the charging port cover, the fastener, and the exhaust tube cap from the Vacuum Pump.



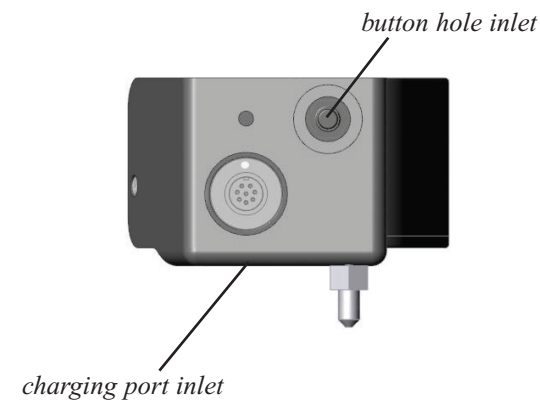
- Slide the Cosmetic Panel onto the Vacuum Pump. Secure using the fastener that was removed in Step 2.



- Insert one end of the exhaust port tubing onto the hose barb located on the distal side of the Cosmetic Panel. Slide the other end of the tubing into the foot shell.

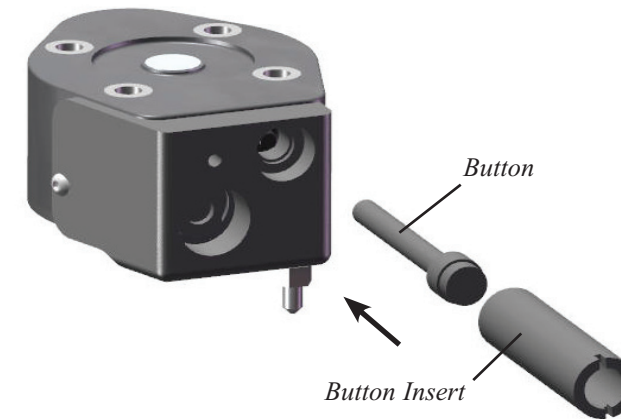
*Note: because this hose will need to be accessed by the patient for flushing purposes, a Plastazote® interface (or similar) should be fabricated for easy access.*

- Measure the distance from the bottom of the foot shell to the charging port inlet and to the button hole inlet.

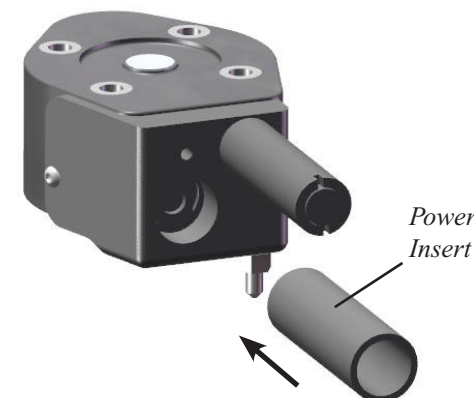


- Cosmetically cover the prosthesis as desired.
- Using the measurements from Step 5, determine the locations on the foam cover underneath which the charging port inlet and the button hole inlet are located. Trim foam from the cosmetic cover at those locations so that the Power Insert and Button Insert can be threaded into the inlets.

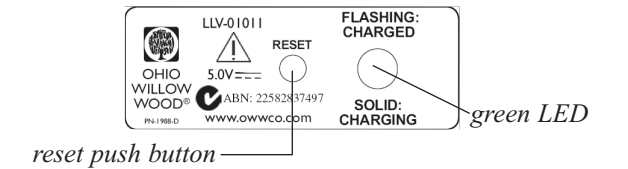
- Note the length needed for the Button to be flush with the cosmetic cover. Sand the Button and Button Insert accordingly. Be sure to sand from the end opposite the milled slot.
- Insert the Button into the Button Insert. Thread the assembly into the button hole inlet on the Cosmetic Panel. The Button should now operate the Vacuum Pump.



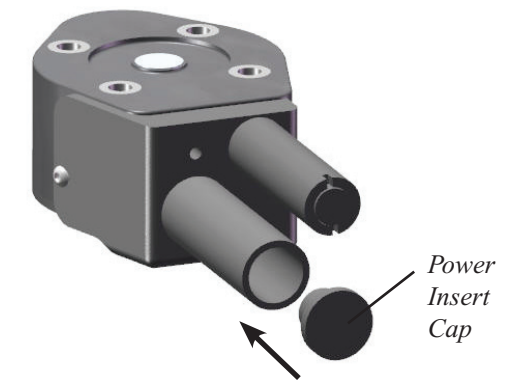
- Note the length needed for the Power Insert to be flush with the cosmetic cover. Sand the Power Insert accordingly. Be sure to sand from the end opposite the threads.
- Thread the Power Insert into the charging port inlet.



- To charge the system, insert the charging plug on the LimbLogic VS battery charger into the charging port on the Vacuum Pump by following the instructions in the *LimbLogic VS Prosthetist's Guide*. If the green LED on the charger does not light, press and hold the reset push button until the light comes on.



- When charging is complete, the green LED will flash. Disconnect the battery charger from the Vacuum Pump and from the power outlet.
- Install the Power Insert Cap.



The finished cosmesis will appear as shown in the picture below.

