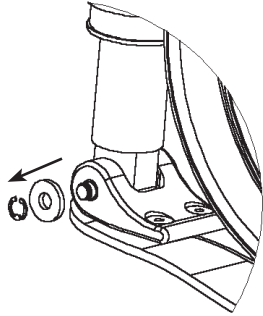


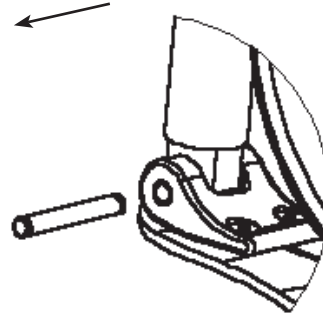
INSTALLATION INSTRUCTIONS FOR PATHFINDER™ REPLACEMENT BEARINGS

Please read thoroughly before replacing the bearings on the Pathfinder™.

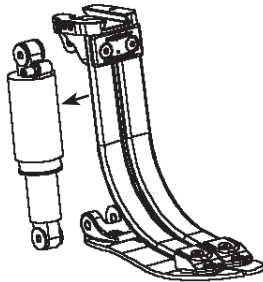
1. Remove the E-clip and the Thrust Washer from each end of the Shock Pin at the distal end of the Pneumatic Heel Spring. Repeat at the proximal end.



2. Remove the distal Shock Pin. Repeat at the proximal end.



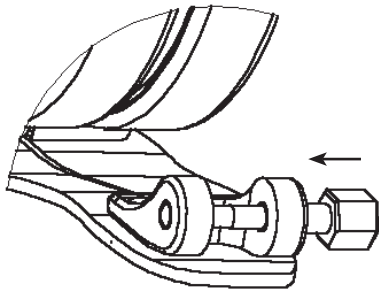
3. Slide the Pneumatic Heel Spring out of the foot.



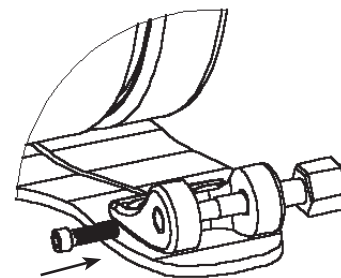
4. Place a new bearing on the Bearing Replacement Tool.



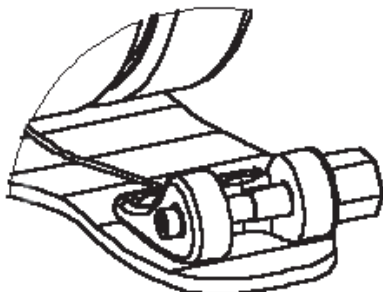
5. Insert the Bearing Replacement Tool through either one of the outer holes on the Heel Connector.



6. Insert the Bearing Replacement Tool Cap Screw through the opposite hole into the end of the Replacement Tool.

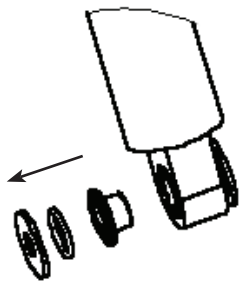


7. Tighten the Cap screw with a 9/64" wrench until the old bearing is pressed out, and the new bearing is inserted completely into the Heel Connector.

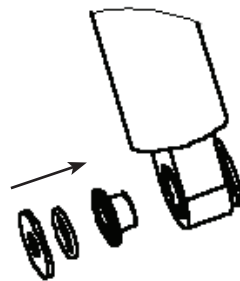


8. Repeat Steps 5 through 7 for the other bearing at the distal end, and then for the two bearings at the proximal end.

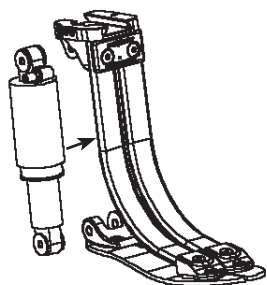
-
9. Remove the Thrust Bearing, O-Ring, and Shock Bushing from one side of the distal end of the Pneumatic Heel Spring. Repeat for the other side of the distal end, and then for the proximal end. Channel Locks are helpful for removing the Shock Bushings.



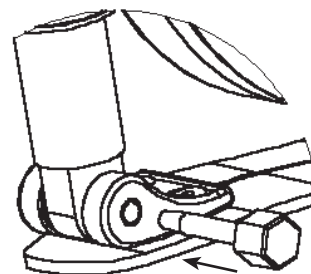
10. Insert a new Shock Bushing into each of the holes, pressing lightly on the Shock Bushings with pliers if necessary to insert them fully. Install new O-Rings and Thrust Bearings into each of the new Shock Bushings.



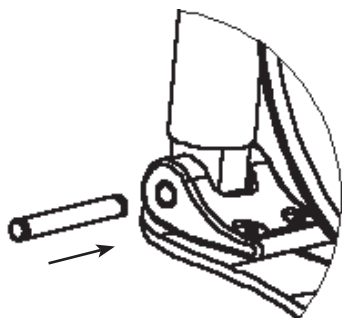
11. Insert the distal end of the Pneumatic Heel Spring into the foot, then insert the proximal end.



12. Insert the Bearing Replacement Tool through the holes at the distal end to ensure that the holes are lined up properly. Repeat at the proximal end.



13. Insert the Shock Pins at the proximal and distal ends of the Pneumatic Heel Spring.



14. Install the Thrust Washers and E-clips onto each end of the Shock Pin at the distal end of the Pneumatic Heel Spring. Repeat at the proximal end.

