

Titanium Rotatable Pyramid Adapter/Receiver Instructions

WHAT'S IN THE BOX

One of the following:

Titanium Rotatable Pyramid Adapter (FND-228003)

Titanium Rotatable Pyramid Receiver (FND-228002)

4 M6 x 20 Attachment Screws

Instructions

RECOMMENDED INSTALLATION PROCEDURES

1. Fabricate a socket with a 4-hole pattern at the distal end using a WillowWood Laminated Socket Attachment Block (Part No. 700-250 or 700-200).

Note: Make sure that the distal surface of the socket has a flat surface to provide a secure attachment for the adapter.

2. Apply Loctite 242 Removable Threadlocker (or equivalent) to the Attachment Screws. Attach the Clamp Body to the socket with the four Attachment Screws, and tighten the Attachment Screws to 9 ft-lbs. (12 Nm).

Note: The M6 x 20 Attachment Screws provided with the Rotatable Adapter/ Receiver are the appropriate length for use with the Laminated Socket Attachment Block. If the Rotatable Adapter/Receiver is being attached to a component other than the Laminated Socket Attachment Block, be sure to check for adequate thread engagement of the M6 x 20 screws and contact WillowWood if a different bolt length is required.

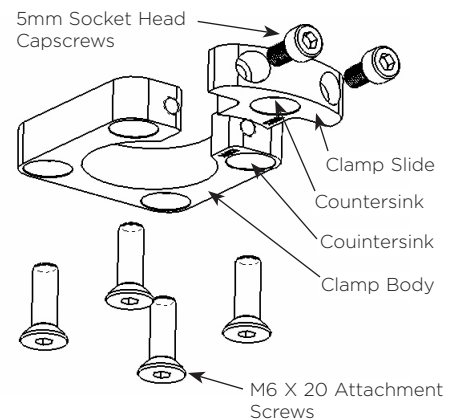
3. Screw the pyramid or pyramid receiver into the base in as far as alignment conditions allow. Make allowances for rotation during alignment.

4. Remove the two 5 mm Socket Head Capscrews. Apply Loctite Removable Threadlocker 242 (or equivalent) to the two 5 mm Socket Head Capscrews. Secure the Clamp Slide with the two 5 mm Capscrews and tighten to 8 ft-lbs. (10.8 Nm).

Note: The Clamp Body and Clamp Slide have matched threads. The Countersink should be visible on the Clamp Slide as shown at right in order to ensure proper alignment of the threads.

MAKING ROTATION ADJUSTMENTS

1. Loosen the two 5 mm Socket Head Capscrews.
2. Rotate the pyramid component to the desired position.
3. Remove the two 5 mm Socket Head Capscrews. Apply Loctite Removable Threadlocker 242 (or equivalent) to the two 5 mm Socket Head Capscrews. Secure the Clamp Slide with the two 5 mm Capscrews and tighten to 8 ft-lbs. (10.8 Nm).



WARRANTY

The warranty for Titanium 4-Hole Rotatable Pyramid Adapters/Receivers is one year from the date of invoice. Use of a Titanium 4-Hole Rotatable Pyramid Adapter/Receiver for amputees whose adjusted body weight is greater than 250 lbs (115 kg) or who engage in extremely high and abusive activities is against WillowWood's recommendations and will void the one year warranty. Adjusted body weight is defined as the weight of the amputee plus any loads carried by the amputee. "Extremely high and abusive activities" are defined as activities such as skydiving, karate, and judo; activities that could result in injury to an individual's natural limbs; and activities that expose the prosthesis to corrosives such as salt water.

WillowWood®

The Ohio Willow Wood Company
15441 Scioto Darby Road
Mt. Sterling, OH 43143
phone 740.869.3377 / 800.848.4930
fax 740.869.4374 www.willowwoodco.com

Ohio Willow Wood Company B.V.
Keizersgracht 62/64
1015 CS Amsterdam
The Netherlands



PN-1457-H 4 JUN 2012

WARRANTY DISCLAIMER

WillowWood warrants that each product manufactured will, at the time of delivery, be of workmanlike quality and substantially free of defects. WILLOWWOOD MAKES NO OTHER WARRANTY, IMPLIED, OR EXPRESSED, AND MAKES NO WARRANTY OF MERCHANTABILITY OR FITNESS FOR A PARTICULAR PURPOSE. This warranty shall terminate immediately upon an action to combine our products with other materials or in any manner to change the nature of our products. The sole remedy is replacement of the products or credit for the products. WillowWood's liability shall not exceed the purchase price of the product. WillowWood shall not be liable for any indirect, incidental, or consequential damage.

WILLOWWOOD RETENTION OF RIGHTS

WillowWood retains all intellectual property rights reflected or incorporated in its physical products, regardless of the transfer of the physical products to another party or parties.