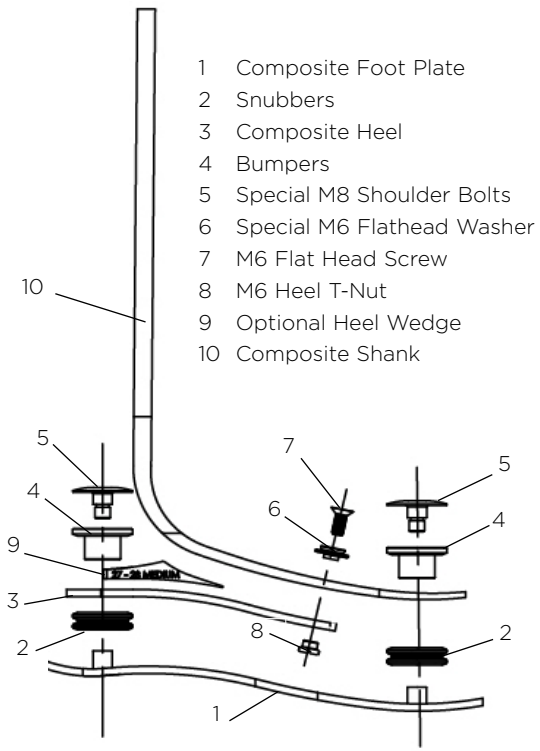


# Replacing the Fusion™ Foot Composite Heel

*Refer to the picture on the back of this page.*

1. Using a 4 mm hex wrench, remove the shoulder bolts.
2. Using a 4 mm hex wrench and a 7/16" or 11 mm open-end wrench, remove the M6 flat head screws.
3. Remove the composite heel.
4. Choose the appropriate length of M6 flat head screws (either 16 mm or 18 mm) based on the chart below.
5. Apply Loctite 242 (or equivalent) to the M6 flat head screws and shoulder bolts.
6. Install the M6 special washers onto the M6 flat head screws.
7. Install the M6 Heel T-Nuts into the new heel.
8. Install the screws with the washers through the shank and into the Heel T-Nuts. Hand tighten.
9. Install the shoulder bolts. Tighten the bolts to 9 ft-lbs (12 Nm). Be sure to fully engage the hex tool and avoid over-torquing the bolts.
10. Look through the clearance holes in the foot plate and twist the assembly until the Heel T-Nuts are centered in the clearance holes.
11. Tighten the screws to 9 ft-lbs (12 Nm).

FOOT SIZE	TOE SPRING CATEGORY					
	1	2	3	4	5	6
23-24	16	16	16	18	18	n/a
25-26	16	16	18	18	18	n/a
27-28	16	18	18	18	18	18
29-30	18	18	18	18	18	18
31	18	18	18	18	18	18



- 1 Composite Foot Plate
- 2 Snubbers
- 3 Composite Heel
- 4 Bumpers
- 5 Special M8 Shoulder Bolts
- 6 Special M6 Flathead Washer
- 7 M6 Flat Head Screw
- 8 M6 Heel T-Nut
- 9 Optional Heel Wedge
- 10 Composite Shank

# WillowWood®

The Ohio Willow Wood Company  
 15441 Scioto Darby Road  
 Mt. Sterling, Ohio 43143 USA  
 Phone: 740.869.3377 or 800.848.4930  
 Fax: 740.869.4374  
[www.willowwoodco.com](http://www.willowwoodco.com)



Ohio Willow Wood Company |  
 Keizersgracht 62/64  
 1015 CS Amsterdam  
 The Netherlands

